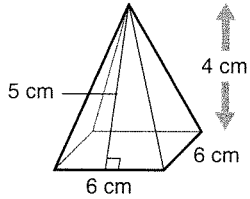


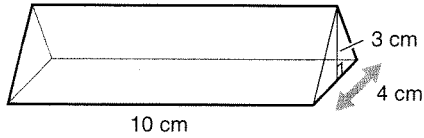
MATH 230 SESSION #20

Compute the volumes of the figures in 7 through 12 to the nearest cubic centimeter, and compute their surface areas to the nearest square centimeter.

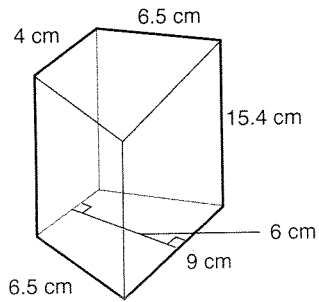
7. a. Square pyramid



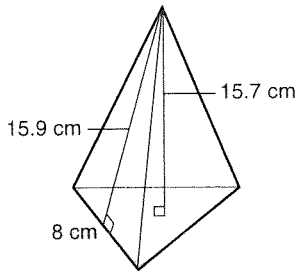
b. Triangular isosceles prism



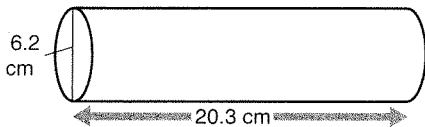
11. a. Trapezoidal prism



b. Equilateral triangular pyramid



12. a. Cylinder



Compute the volumes to the nearest .1 cubic centimeter for the figures in exercises 13 and 14.

13. a. Cone

