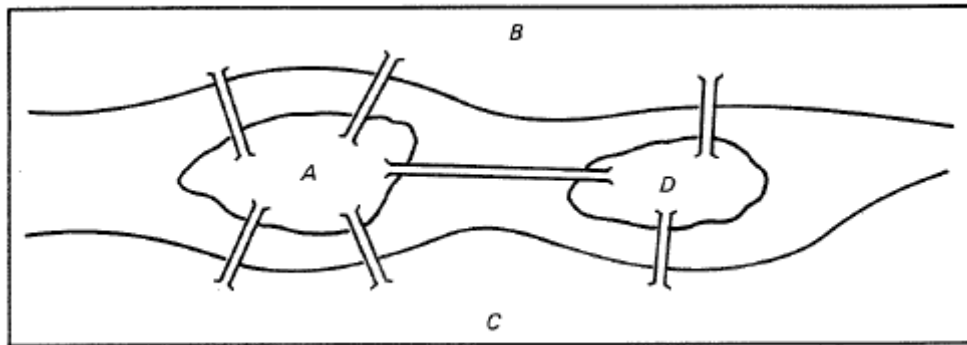
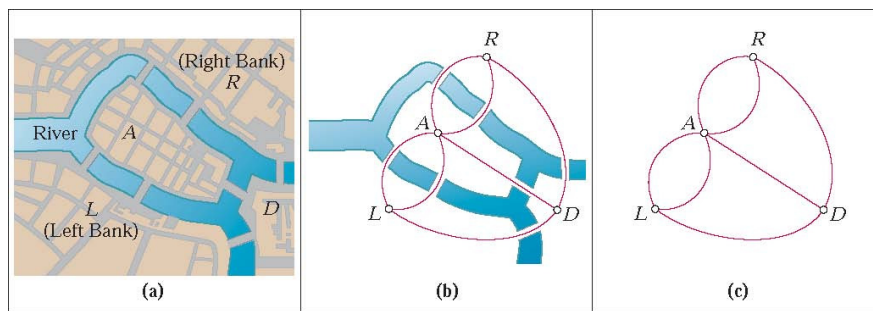


Two Famous Problems Revisited

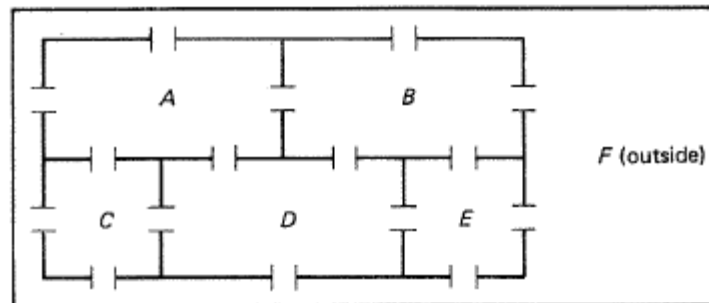
Konigsberg Bridges Problem



The Map Represented by a Graph



Floor Plan Walk Problem



The Floor Plan Represented by a Graph